

# D-Sub DIN 41 652 T1



Number of contacts

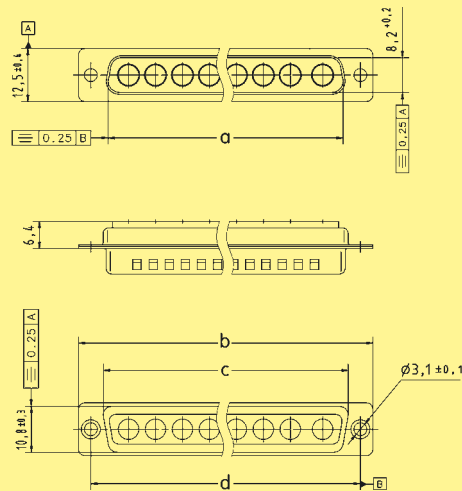
# 3-8



Shells without signal contacts for cable applications

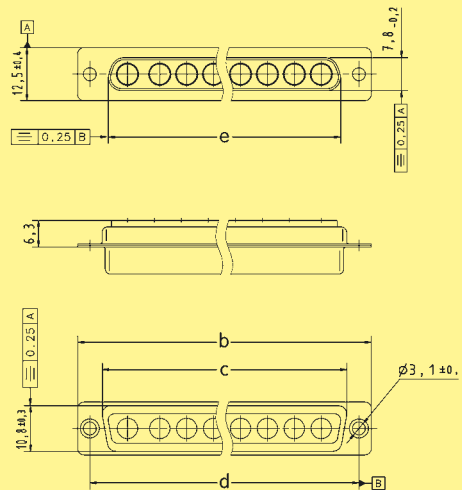
Identification	No. of contacts <sup>1)</sup>	Part No.	
		male connectors	female connectors
	3W3	09 69 210 0033	09 69 200 0033
	5W5	09 69 310 0055	09 69 300 0055
	8W8	09 69 410 0088	09 69 400 0088

## Male connectors



	a	b	c	d	e
3W3	25.2	39.1	27.5	33.30	24.6
5W5	38.9	53.0	41.3	47.04	38.3
8W8	55.3	69.3	57.7	63.50	54.8

## Female connectors



Dimensions in mm

<sup>1)</sup> Explanations see page 04.03  
 Board drillings see pages 04.25 ff  
 Order special contacts separately. See pages 04.17 ff