

D-Sub

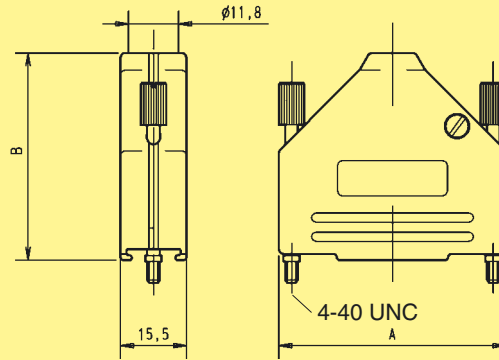


Full metal top and side entry hoods with knurled screws

Identification No. of contacts Part No. Drawing Dimensions in mm

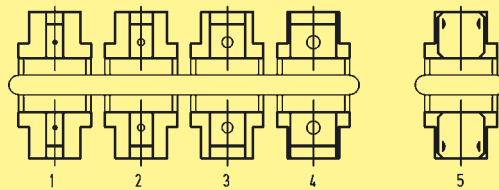
Top entry hood

9 09 67 009 0343
 15 09 67 015 0343
 25 09 67 025 0343
 37 09 67 037 0343



Poles	A	B
9	31.2	39.9
15	39.5	41.5
25	53.4	48.6
37	69.7	53.6

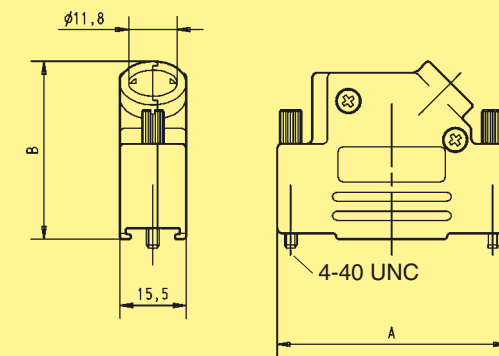
Grommet set halves



Grommet dimensions	
Number	Diameter
1	3.8
2	5.0
3	7.8
4	9.8
5	10.2

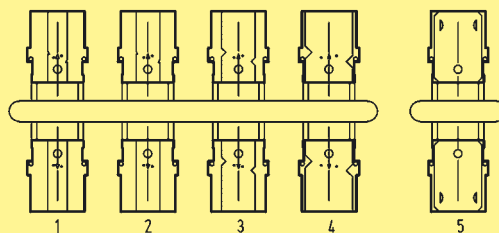
Side entry hood

9 09 67 009 0333
 15 09 67 015 0333
 25 09 67 025 0333
 37 09 67 037 0333



Poles	A	B
9	31.0	38.0
15	40.5	41.1
25	53.7	41.8
37	69.8	41.8

Grommet set halves



Grommet dimensions	
Number	Diameter
1	4.0
2	5.0
3	7.0
4	9.8
5	10.2

D-Sub - H

06
07