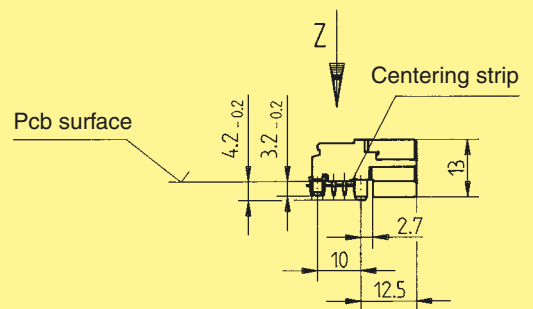
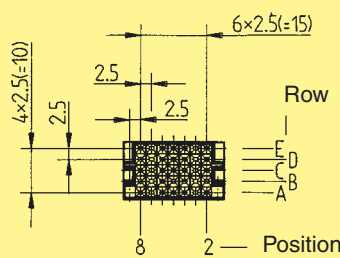
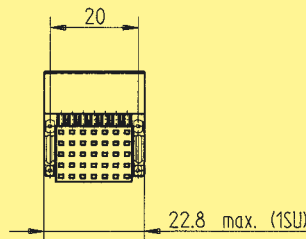


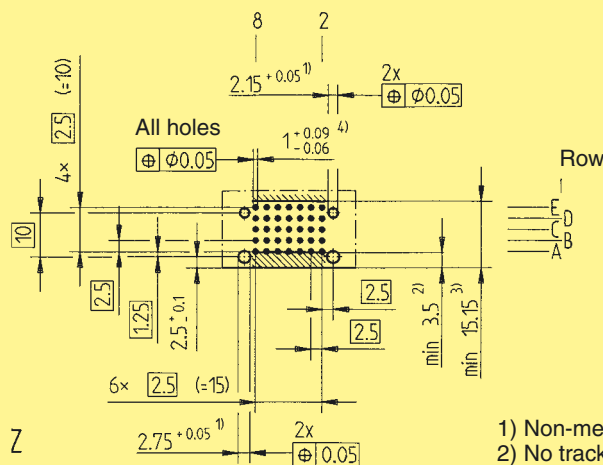
Female connectors, angled

Identification	Number of contacts	Contact arrangement*	Part number
1 SU female connector with press-in termination	12	3	07 21 319 7015 07 21 319 8015
	18	2	07 21 219 7015 07 21 219 8015
	28	8	07 21 819 7015 07 21 819 8015
	35	1	07 21 119 7015 07 21 119 8015

Connector dimensions [mm]



Board drillings (revolved by 90°)



- 1) Non-metallised drillings
- 2) No tracks, except solder eyes
- 3) Limit area of components (valid for both pcb-sides)
- 4) For press-in connection DIN EN 60 352-5

* Contact arrangements see page 09.03