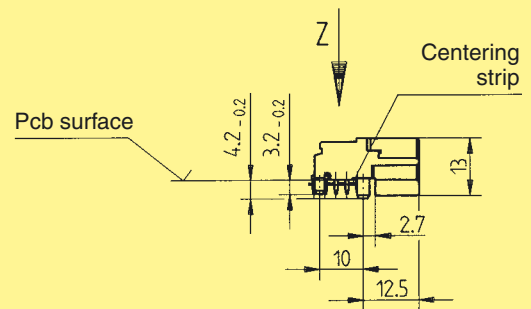
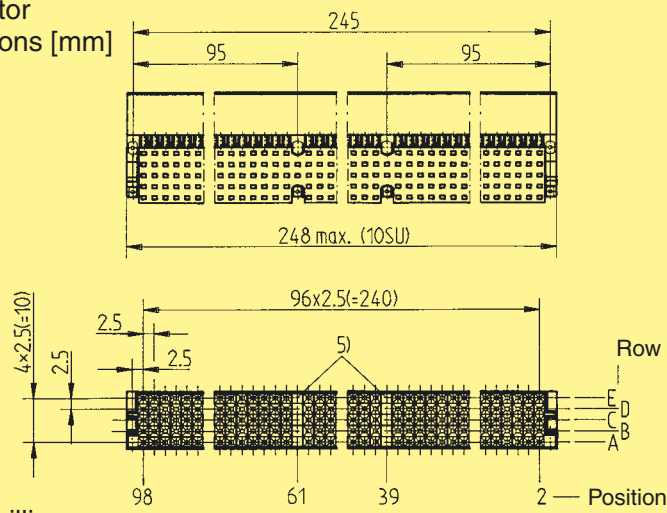


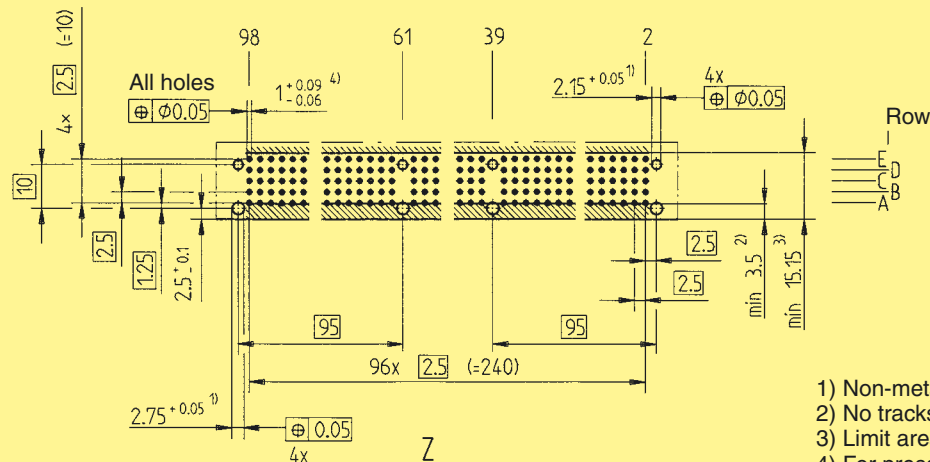
Female connectors, angled

Identification	Number of contacts	Contact arrangement*	Part number
10 SU female connector with press-in termination	147	3	07 20 319 7015 07 20 319 8015
	239	2	07 20 219 7015 07 20 219 8015
	380	8	07 20 819 7015 07 20 819 8015
	475	1	07 20 119 7015 07 20 119 8015

Connector dimensions [mm]



Board drillings (revolved by 90°)



- 1) Non-metallised drillings
- 2) No tracks, except solder eyes
- 3) Limit area of components (valid for both pcb-sides)
- 4) For press-in connection DIN EN 60 352-5
- 5) Apertures for male contacts

* Contact arrangements see page 09.03

Thin print part numbers: performance level 1
Bold print part numbers: performance level 2