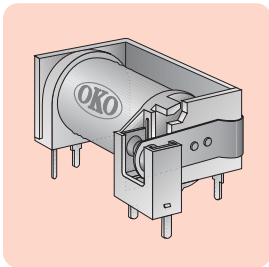


HEAVY DUTY

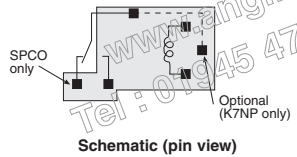
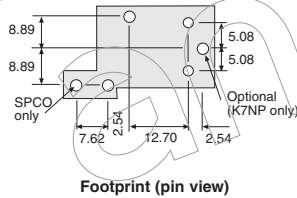
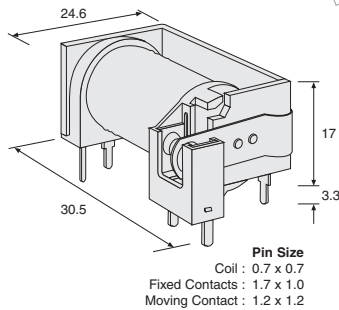
OKO type K7N

Heavy duty, single pole relays with an industry standard footprint. Silver-cadmium oxide contacts available normally open (rated up to 30A) or changeover (rated up to 20A). **Open construction** with choice of pin arrangement.



- ◆ SPNO or SPCO silver-cadmium
- ◆ Rated up to 30A
- ◆ PCB terminations
- ◆ Choice of pin out
- ◆ Industry standard
- ◆ Very competitively priced
- ◆ Open construction

Dimensions (mm)



Specification

Contacts	SPNO rated DC: 20A, 28V/AC: 30A,240V SPCO rated NO contact DC: 20A, 28V/AC: 20A,240V NC contact DC: 10A, 28V/AC: 10A,240V Silver-cadmium oxide
Coil	Power consumption 900mW approx. Operating voltage range 75-120%
Speed	Operating time 15ms Release time 10ms
Life expectancy	Mechanical: 10 x 10 ⁶ operations min. Electrical: 1 x 10 ⁵ operations min.
Oper. temp. range	-55°C to +85°C

SPNO CONTACT

Coil Voltage/Resistance

5Vdc/27Ω
6Vdc/40Ω
9Vdc/97Ω
12Vdc/155Ω
15Vdc/256Ω
18Vdc/380Ω
24Vdc/660Ω

Manf. Part No. & anglia Order Code

4 pin	5 pin
K7NWA05	K7NPA05
K7NWA06	K7NPA06
K7NWA09	K7NPA09
K7NWA12	K7NPA12
K7NWA15	K7NPA15
K7NWA18	K7NPA18
K7NWA24	K7NPA24

SPCO CONTACT

Coil Voltage/Resistance

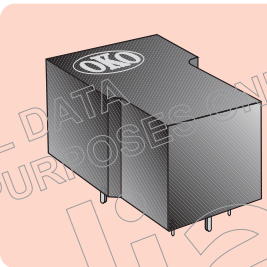
5Vdc/27Ω
6Vdc/40Ω
9Vdc/97Ω
12Vdc/155Ω
15Vdc/256Ω
18Vdc/380Ω
24Vdc/660Ω

Manf. Part No. & anglia Order Code

5 pin	6 pin
K7NWC05	K7NPC05
K7NWC06	K7NPC06
K7NWC09	K7NPC09
K7NWC12	K7NPC12
K7NWC15	K7NPC15
K7NWC18	K7NPC18
K7NWC24	K7NPC24

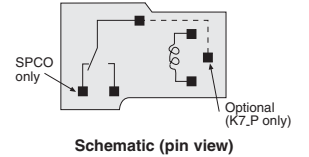
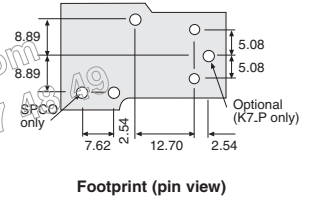
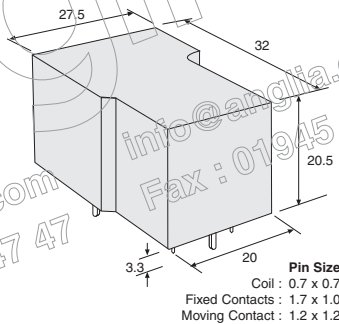
OKO type K7D & K7S

Heavy duty, single pole relays with an industry standard footprint. Silver-cadmium oxide contacts available normally open (rated up to 30A) or changeover (rated up to 20A). Option of **dust cover protection** or **fully sealed** 'vented' construction. Choice of pin arrangement.



- ◆ SPNO or SPCO silver-cadmium
- ◆ Rated up to 30A
- ◆ PCB terminations
- ◆ Choice of pin out
- ◆ Industry standard
- ◆ Very competitively priced
- ◆ Dust cover or fully sealed*

Dimensions (mm)



Specification

Contacts	SPNO rated DC: 20A, 28V/AC: 30A,240V SPCO rated NO contact DC: 20A, 28V/AC: 20A,240V NC contact DC: 10A, 28V/AC: 10A,240V Silver-cadmium oxide
Coil	Power consumption 900mW approx. Operating voltage range 75-120%
Speed	Operating time 15ms Release time 10ms
Life expectancy	Mechanical: 10 x 10 ⁶ operations min. Electrical: 1 x 10 ⁵ operations min.
Oper. temp. range	-55°C to +85°C

SPNO CONTACT

Coil Voltage/Resistance

5Vdc/27Ω
6Vdc/40Ω
9Vdc/97Ω
12Vdc/155Ω
15Vdc/256Ω
18Vdc/380Ω
24Vdc/660Ω

Manf. Part No. & anglia Order Code

4 pin		5 pin	
Dust Cover	Fully Sealed	Dust Cover	Fully Sealed
K7DWA05	K7SWA05	K7DPA05	K7SPA05
K7DWA06	K7SWA06	K7DPA06	K7SPA06
K7DWA09	K7SWA09	K7DPA09	K7SPA09
K7DWA12	K7SWA12	K7DPA12	K7SPA12
K7DWA15	K7SWA15	K7DPA15	K7SPA15
K7DWA18	K7SWA18	K7DPA18	K7SPA18
K7DWA24	K7SWA24	K7DPA24	K7SPA24

SPCO CONTACT

Coil Voltage/Resistance

5Vdc/27Ω
6Vdc/40Ω
9Vdc/97Ω
12Vdc/155Ω
15Vdc/256Ω
18Vdc/380Ω
24Vdc/660Ω

Manf. Part No. & anglia Order Code

5 pin		6 pin	
Dust Cover	Fully Sealed	Dust Cover	Fully Sealed
K7DWC05	K7SWC05	K7DPC05	K7SPC05
K7DWC06	K7SWC06	K7DPC06	K7SPC06
K7DWC09	K7SWC09	K7DPC09	K7SPC09
K7DWC12	K7SWC12	K7DPC12	K7SPC12
K7DWC15	K7SWC15	K7DPC15	K7SPC15
K7DWC18	K7SWC18	K7DPC18	K7SPC18
K7DWC24	K7SWC24	K7DPC24	K7SPC24

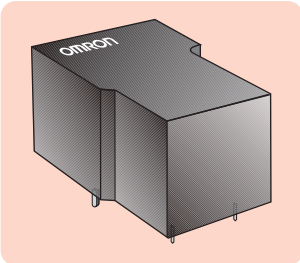
* Please contact our technical department for advice if using a PCB wash process.

HEAVY DUTY

OMRON type G8P

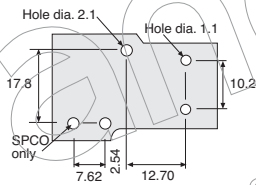
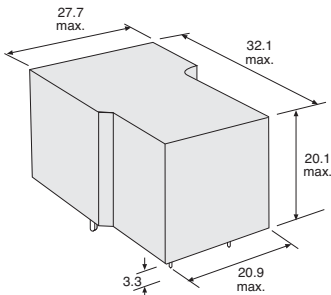


Compact, low cost, 30A single pole power relays with industry standard footprint. Complies with UL873 and UL508 column A spacings. Available normally open (rated up to 30A) or changeover (rated up to 20A).

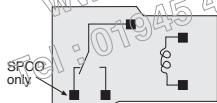


- ◆ SPNO or SPCO silver-cadmium
- ◆ Rated up to 30A
- ◆ PCB terminations
- ◆ Class F coil insulation
- ◆ Industry standard
- ◆ Fully sealed
- ◆ Complies with UL873 creepage and clearance

Dimensions (mm)



Footprint (pin view)



Schematic (pin view)

Specification

Contacts.....	SPNO rated DC: 20A, 28V/AC: 30A,250V SPCO rated NO contact DC: 20A, 28V/AC: 20A,250V NC contact DC: 10A, 28V/AC: 10A,250V Silver-cadmium oxide
Coil.....	Power consumption 900mW approx. Operating voltage range 75-120%
Speed.....	Operating time 15ms Release time 10ms
Life expectancy.....	Mechanical: 10 x 10 ⁶ operations min. Electrical: 1 x 10 ⁵ operations min.
Oper. temp. range.....	-55°C to +105°C

Coil Voltage/Resistance

- 5Vdc/27Ω
- 12Vdc/155Ω
- 24Vdc/660Ω
- 48Vdc/2480Ω

Manf. Part No. & Anglia Order Code	
SPNO	SPCO
G8P-1A4P-5DC	G8P-1C4P-5DC
G8P-1A4P-12DC	G8P-1C4P-12DC
G8P-1A4P-24DC	G8P-1C4P-24DC
G8P-1A4P-48DC	G8P-1C4P-48DC

Versions with Quick Connect Terminals
shown overleaf > > >

OMRON FOR OTHER OPTIONS INCLUDING:

- Dust cover (unsealed)
- Open types
- Other coil voltages

Please contact the Anglia Sales Desk

HEAVY DUTY

NEW

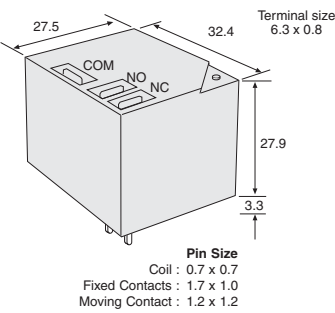
OKO type K7SF

Heavy duty, single pole relays with an industry standard footprint. Silver-cadmium oxide contacts available normally open (rated up to 30A) or changeover (rated up to 20A). Fully sealed 'vented' construction with additional quick connect terminals on the top for the contacts.

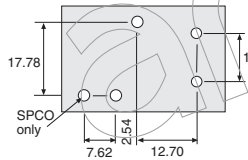


- ◆ SPNO or SPCO silver-cadmium
- ◆ Rated up to 30A
- ◆ PCB mounting with extra quick connect terminals
- ◆ Industry standard
- ◆ Very competitively priced
- ◆ Fully sealed*

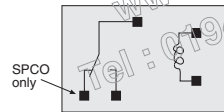
Dimensions (mm)



Pin Size
Coil : 0.7 x 0.7
Fixed Contacts : 1.7 x 1.0
Moving Contact : 1.2 x 1.2



Footprint (pin view)



Schematic (pin view)



Specification

Contacts.....	SPNO rated DC: 20A, 28V/AC: 30A,240V SPCO rated NO contact DC: 20A, 28V/AC: 20A,240V NC contact DC: 10A, 28V/AC: 10A,240V Silver-cadmium oxide
Coil.....	Power consumption 900mW approx. Operating voltage range 75-120%
Speed.....	Operating time 15ms Release time 10ms
Life expectancy.....	Mechanical: 10 x 10 ⁶ operations min. Electrical: 1 x 10 ⁵ operations min.
Oper. temp. range.....	-55°C to +85°C

SPNO CONTACT

Coil Voltage/Resistance

- 5Vdc/27Ω
- 6Vdc/40Ω
- 9Vdc/97Ω
- 12Vdc/155Ω
- 15Vdc/256Ω
- 18Vdc/380Ω
- 24Vdc/660Ω

Manf. Part No. & anglia Order Code

- K7SFA05
- K7SFA06
- K7SFA09
- K7SFA12
- K7SFA15
- K7SFA18
- K7SFA24

SPCO CONTACT

Coil Voltage/Resistance

- 5Vdc/27Ω
- 6Vdc/40Ω
- 9Vdc/97Ω
- 12Vdc/155Ω
- 15Vdc/256Ω
- 18Vdc/380Ω
- 24Vdc/660Ω

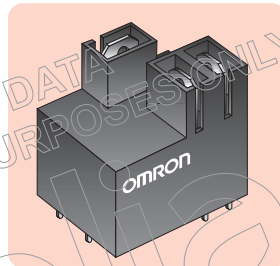
Manf. Part No. & anglia Order Code

- K7SFC05
- K7SFC06
- K7SFC09
- K7SFC12
- K7SFC15
- K7SFC18
- K7SFC24

* Please contact our technical department for advice if using a PCB wash process.

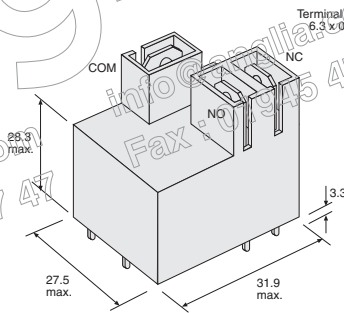
OMRON type G8P

Heavy duty, single pole relays with an industry standard footprint. Silver-cadmium oxide contacts available normally open (rated up to 30A) or changeover (rated up to 20A). Fully sealed 'vented' construction with additional quick connect terminals on the top for the contacts.



- ◆ SPNO or SPCO silver-cadmium
- ◆ Rated up to 30A
- ◆ PCB mounting with extra quick connect terminals
- ◆ Class F coil insulation
- ◆ Industry standard
- ◆ Fully sealed
- ◆ Complies with UL873 creepage and clearance

Dimensions (mm)



Specification

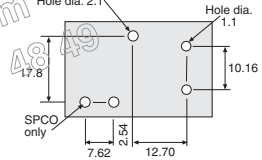
Contacts.....	SPNO rated DC: 20A, 28V/AC: 30A,250V SPCO rated NO contact DC: 20A, 28V/AC: 20A,250V NC contact DC: 10A, 28V/AC: 10A,250V Silver-cadmium oxide
Coil.....	Power consumption 900mW approx. Operating voltage range 75-120%
Speed.....	Operating time 15ms Release time 10ms
Life expectancy.....	Mechanical: 10 x 10 ⁶ operations min. Electrical: 1 x 10 ⁵ operations min.
Oper. temp. range.....	-55°C to +105°C

Coil Voltage/Resistance

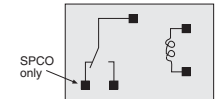
- 5Vdc/27Ω
- 12Vdc/155Ω
- 24Vdc/660Ω
- 48Vdc/2480Ω

Manf. Part No. & anglia Order Code

	SPNO	SPCO
G8P-1A4TP-5DC	G8P-1C4TP-5DC	
G8P-1A4TP-12DC	G8P-1C4TP-12DC	
G8P-1A4TP-24DC	G8P-1C4TP-24DC	
G8P-1A4TP-48DC	G8P-1C4TP-48DC	



Footprint (pin view)



Schematic (pin view)